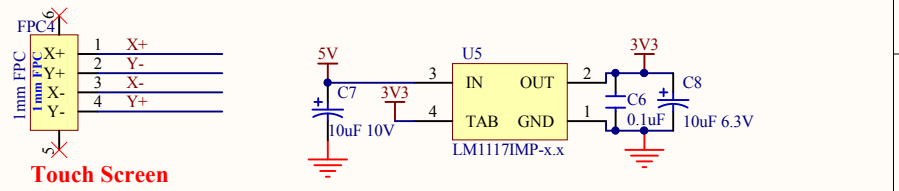
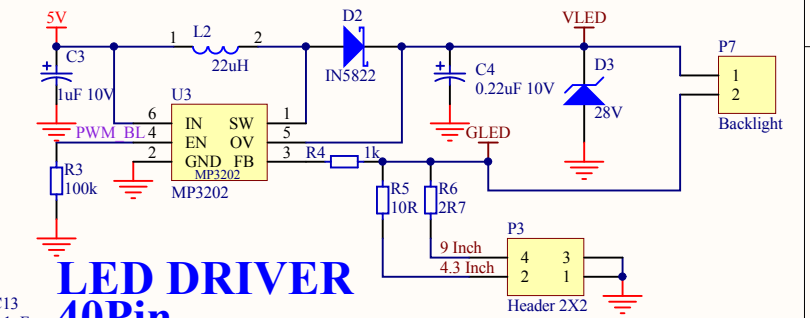
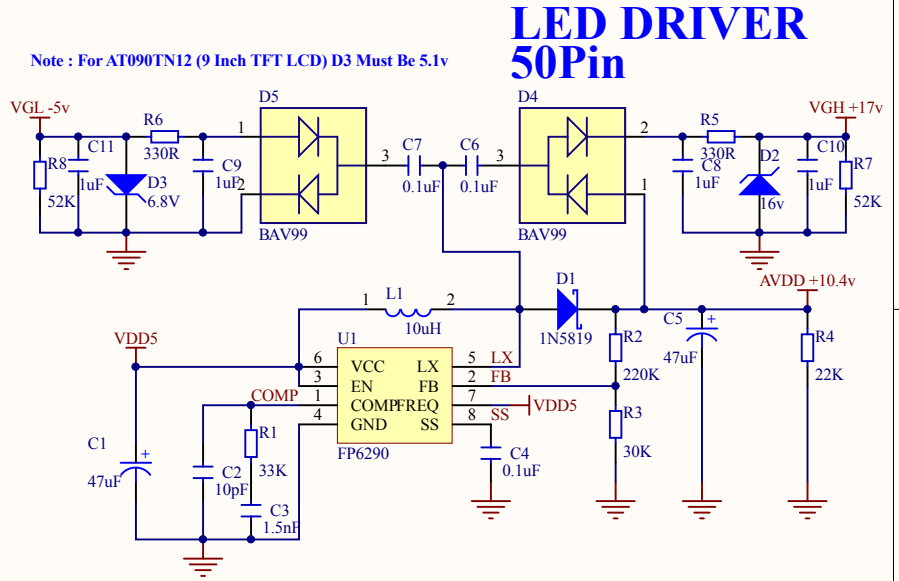
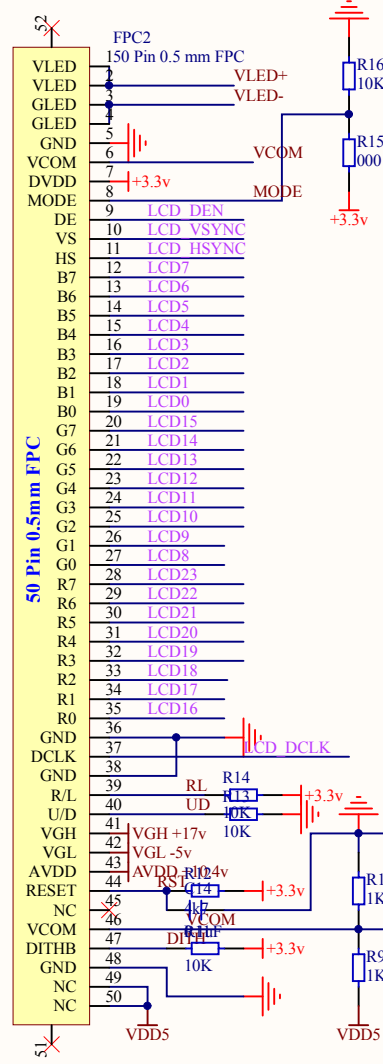
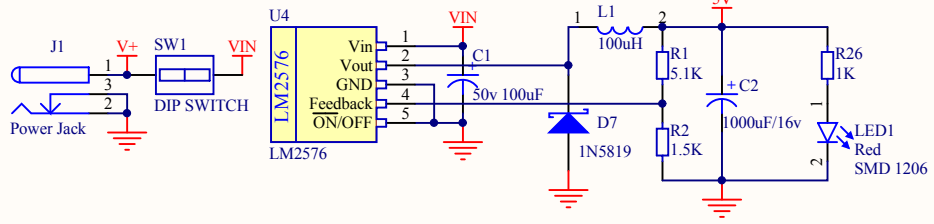


Cubie BaseBoard2
TFT 40Pin.50Pin
CubieBoard.org
iranMicro.ir
kavirElectronic.ir

POWER



Title		
Size	Number	Revision
A4		
Date:	07/11/2013	Sheet of
File:	L:\ATURAN\cubie tf40_50pin.SchDoc	Drawn By:

Bill of Materials

Bill of Materials For Project [Free Documents] (No PCB Document Selected)

Source Data From: Free Documents
 Project: Free Documents
 Variant: None

Creation Date: 07/11/2013 02:54:35 ??
 Print Date: 41466 41466.12131

#Column Name	#Column Name E	#Column Name E	#Column Name Error:Designator	#Column Name Error:Description	#Column Name Error:Qu

0

Approved	Notes

